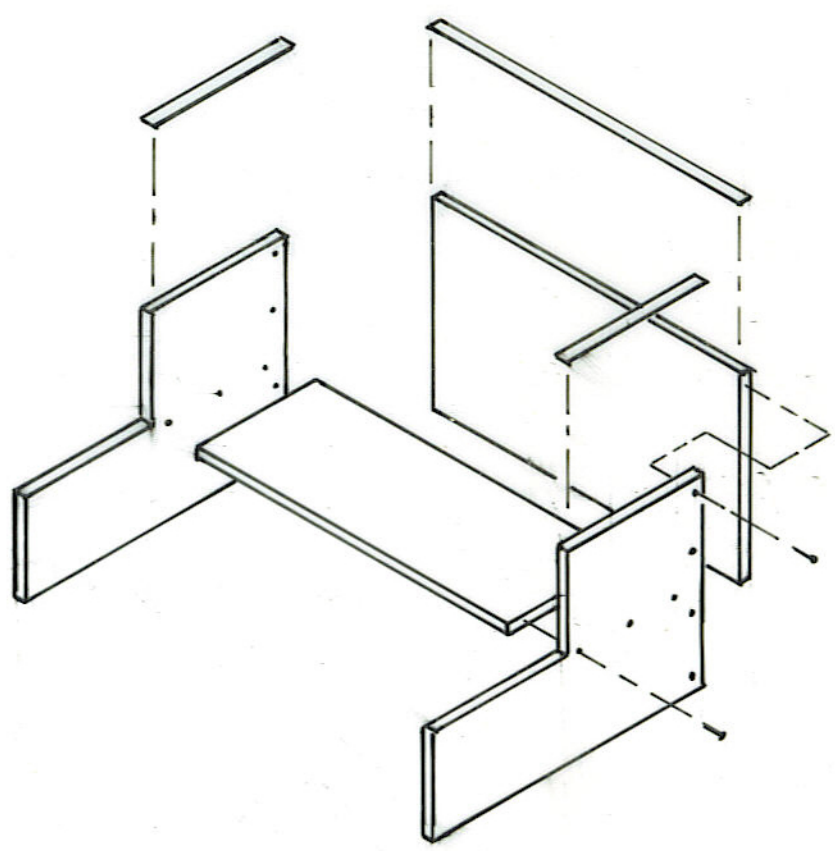
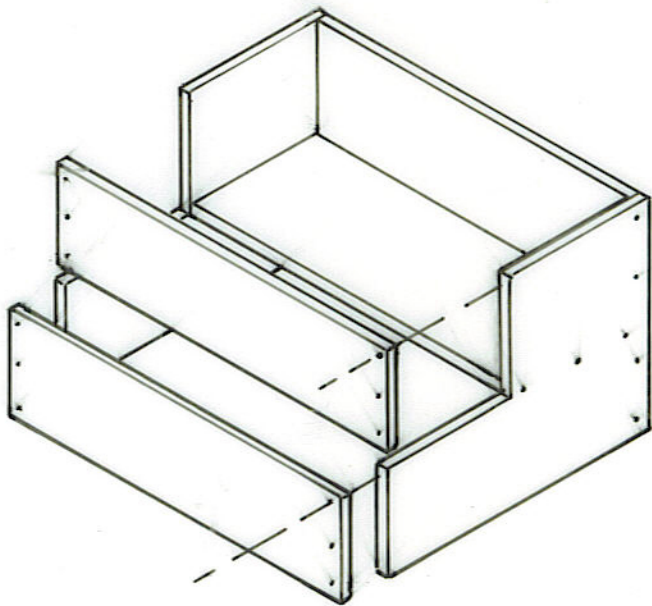


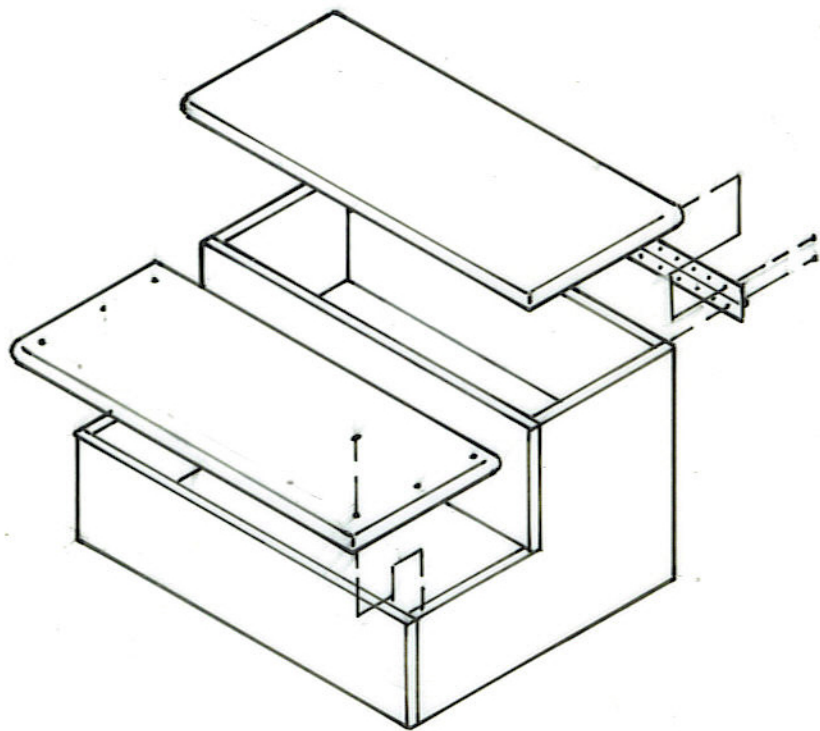
PET STEPS STEP (1) PLYWOOD CONSTN



# RISERS



TREDS



## Pet Steps Material List

- 2       $\frac{3}{4}$ -inch-thick x 15-inch-wide x  $19\frac{3}{4}$ -inch-long finished birch sides to be re-cut
- 1       $\frac{3}{4}$ -inch-thick x 15-inch-wide x  $28\frac{1}{2}$ -inch-long finished birch back
- 1       $\frac{3}{4}$ -inch-thick x  $8\frac{3}{4}$ -inch-wide x  $28\frac{1}{2}$ -inch-long finished birch storage base
- 1       $\frac{3}{4}$ -inch-thick x 7-inch-wide x 30-inch-long clear white pine riser
- 1       $\frac{3}{4}$ -inch-thick x 8-inch-wide x 30-inch-long clear white pine riser
- 2       $\frac{5}{4}$ -inch-thick x 11-inch-wide x  $31\frac{1}{2}$ -inch-long cypress treads, with bullnose sides
- 1      1  $\frac{1}{2}$ -inch-wide x 28-inch-long piano hinge
- 1 lb.   6 x 1  $\frac{5}{8}$ -inch-long trim head square drive screws
- 1 roll of  $\frac{3}{4}$  birch veneer tape
- 8 fl. oz. premium wood glue
- Primer and paint
- Clear satin finish for the inside storage compartment
- Wood filler
- Sandpaper: 100-grit, 120-grit, and 140-grit